

Product data sheet

Characteristics

XY2CEDA196H7

Dual emergency stop rope pull switch,
Telemecanique rope pull switches XY2C, e
2x(1NC+1NO), 1/2" NPT, flush pb, pilot light



Product availability: Stock - Normally stocked in distribution facility

Price*: 504.00 USD



Main

Range of Product	Telemecanique Emergency stop rope pull switches XY2C
Product or Component Type	Dual emergency stop rope pull switch
Device short name	XY2CED
Housing colour	Red RAL 3000
Overvoltage category	Class I conforming to EN/IEC 61140

Complementary

Local signalling	With pilot light, red, 24...130 V
Number of cables	2
Trigger cable maximum length	2 x 328.08 ft (100 m)
Bellow material	Nitril
Body Material	Zamak
Cover Material	Stainless steel
Reset	By flush push-button
Contacts type and composition	2 x (1 NC + 1 NO)
Contact operation	Slow-break
Trigger cable anchor point	RH and LH sides
Connections - terminals	Screw clamp terminal, 1 x 0.5...2 x 1.5 mm ²
Tightening torque	7.08...10.62 Lbf.In (0.8...1.2 N.m)
Cable entry number	3 tapped entry 1/2" NPT conduit entry
Safety level	Can reach PL = e with the appropriate monitoring system and correctly wired conforming to EN/ISO 13849-1 Can reach category 4 with the appropriate monitoring system and correctly wired conforming to EN/ISO 13849-1 Can reach SIL 3 with the appropriate monitoring system and correctly wired conforming to EN/IEC 61508
Safety reliability data	B10d = 300000 conforming to IEC 60947-5-5 value given for a life time of 20 years limited by mechanical or contact wear
Marking	CE
Mechanical durability	60000 Cycles

Distance between cable supports	9.84...16.40 Ft (3...5 m)
[Ie] rated operational current	3 A 240 V, AC-15, A300 EN/IEC 60947-5-1 appendix A 0.27 A 250 V, DC-13, Q300 EN/IEC 60947-5-1 appendix A
[Ithe] conventional enclosed thermal current	10 A
[Ui] rated insulation voltage	500 V 3)EN/IEC 60947-1 300 VUL 508 300 VCSA C22.2 No 14
[Uimp] rated impulse withstand voltage	6 KV EN/IEC 60947-1
Positive opening	With conforming to EN/IEC 60947-5-1
Maximum resistance across terminals	25 MOhm conforming to EN/IEC 60255-7 category 3
Short-circuit protection	10 A cartridge fuse gG EN/IEC 60269
Terminals description ISO n°1	(13-14)NO (21-22)NC
Net Weight	4.19 Lb(US) (1.9 kg)
Compatibility code	XY2CED

Environment

Standards	EN/ISO 13850 EN/IEC 60947-5-1 CSA C22.2 No 14 Machinery directive 2006/42/EC EN/IEC 60204-1 UL 508 Work equipment directive 2009/104/EC EN/IEC 60947-5-5
Product certifications	UL category NISD emergency stop devices CSA CCC EAC
Protective treatment	TC
Ambient Air Temperature for Operation	-13...158 °F (-25...70 °C)
Ambient Air Temperature for Storage	-40...158 °F (-40...70 °C)
Vibration resistance	10 gn 10...300 Hz)EN/IEC 60068-2-6
Shock resistance	50 gn 11 ms conforming to EN/IEC 60068-2-27
IP degree of protection	IP66 conforming to IEC 60529

Ordering and shipping details

Category	22441 - LIMIT SWITCHES,CABLE PULL
Discount Schedule	T
GTIN	03606480880117
Nbr. of units in pkg.	1
Package weight(Lbs)	4.42 Lb(US) (2.007 kg)
Returnability	Yes
Country of origin	MA

Packing Units

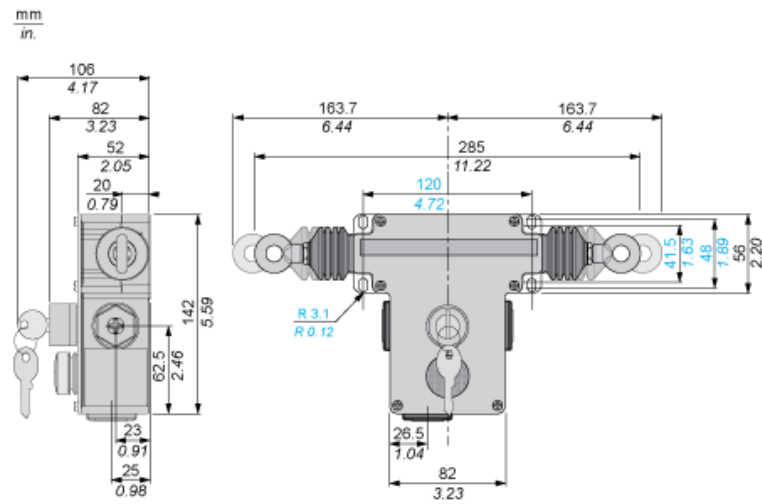
Unit Type of Package 1	PCE
Package 1 Height	4.02 In (10.2 cm)
Package 1 width	6.26 In (15.9 cm)
Package 1 Length	12.17 In (30.9 cm)
Unit Type of Package 2	S03
Number of Units in Package 2	4
Package 2 Weight	18.82 Lb(US) (8.538 kg)
Package 2 Height	11.81 In (30 cm)
Package 2 width	11.81 In (30 cm)
Package 2 Length	15.75 In (40 cm)

Offer Sustainability

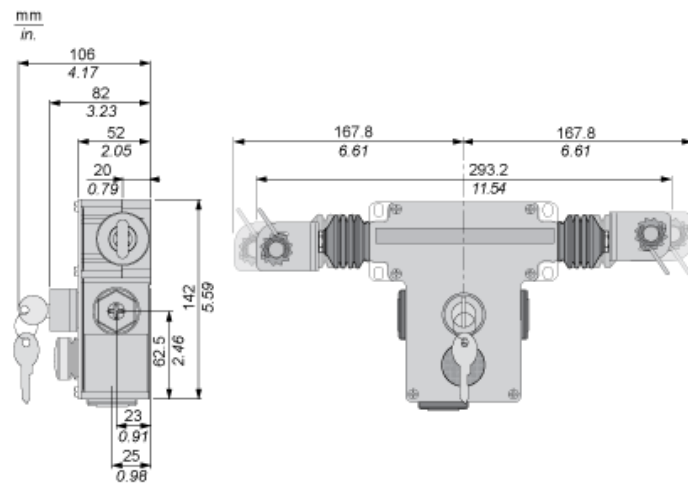
Sustainable offer status	Green Premium product
California proposition 65	WARNING: This product can expose you to chemicals including: Diisononyl phthalate (DINP), which is known to the State of California to cause cancer, and Diisodecyl phthalate (DIDP), which is known to the State of California to cause birth defects or other reproductive harm. For more information go to www.P65Warnings.ca.gov
REACH Regulation	REACH Declaration
EU RoHS Directive	Pro-active compliance (Product out of EU RoHS legal scope) EU RoHS Declaration
Mercury free	Yes
RoHS exemption information	Yes
Environmental Disclosure	Product Environmental Profile

Dimensions

Without Tensioner



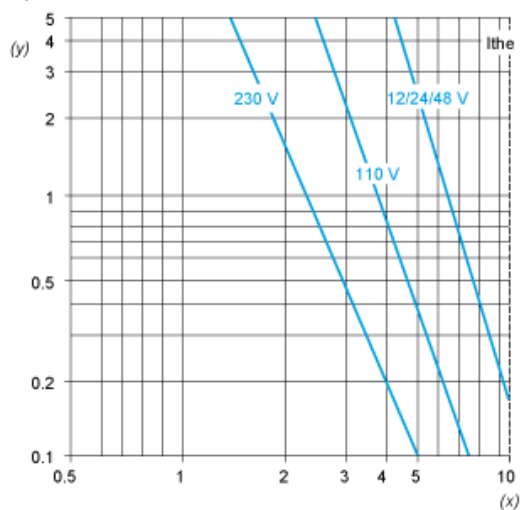
With Tensioners



Electrical Curves

AC Supply 50/60 Hz. \sim Inductive Circuit

2-pole Contact Block



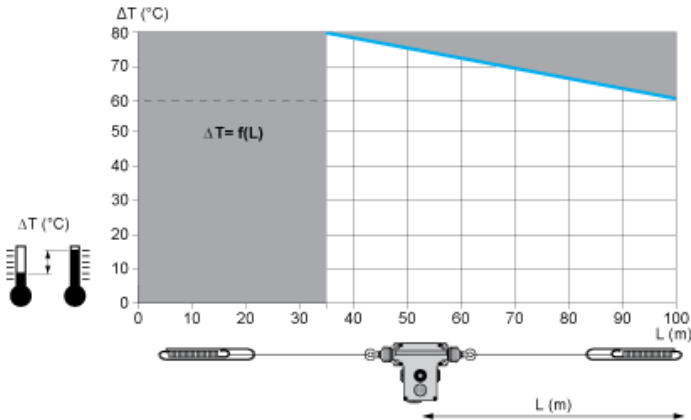
- (y) Millions of operating cycles
- (x) Current in A

DC Supply. Power Broken in W for 1 Million Operating Cycles. \sim Inductive Circuit

Voltage	V	24	48	120
\sim	W	13	9	7

Mounting and Clearance

Adjustment Values (With End Spring)



In grey prohibited zone

Product Life Status : **Commercialised**